

# HDM40 SAEB

## HDM40 Swivel African Export Baler



- Twin box machine
- Produces 45-55kg bales
- Produces up to 15 bales per hour
- Simple and safe – single person operation
- Energy efficient
- Includes large feed doors
- Allows easy bale strapping



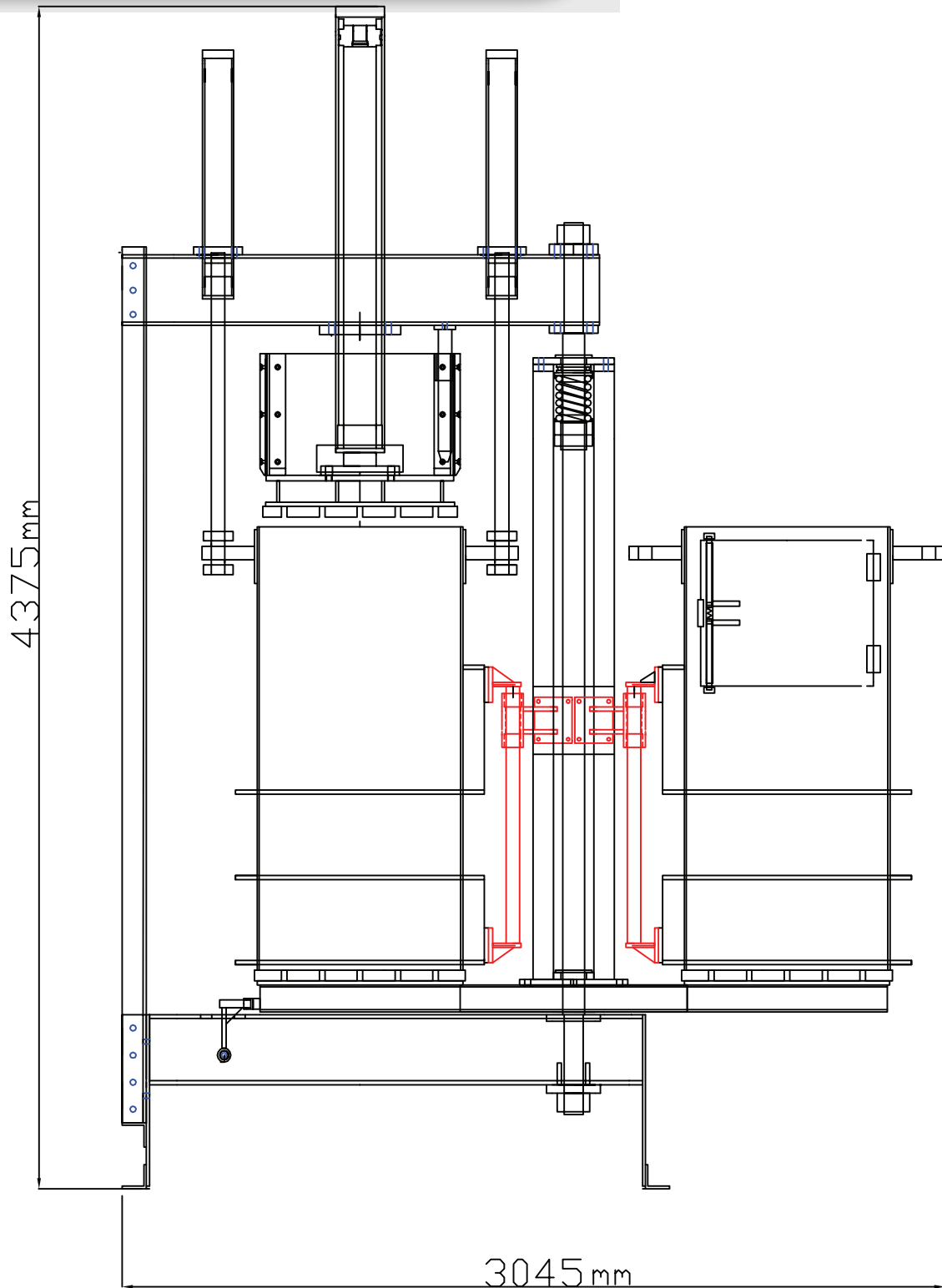
BRITISH MANUFACTURED IN THE UK

Unit 7 / Shawclough Trading Estate / Shawclough Rd / Rochdale / OL12 6ND

t: 01706 650 820 f: 01706 659 916

e: [info@hdm.gb.com](mailto:info@hdm.gb.com) w: [www.textilebalers.co.uk](http://www.textilebalers.co.uk)

# HDM40 SAEB



BRITISH MANUFACTURED IN THE UK

Unit 7 / Shawclough Trading Estate / Shawclough Rd / Rochdale / OL12 6ND

t: 01706 650 820 f: 01706 659 916

e: [info@hdm.gb.com](mailto:info@hdm.gb.com) w: [www.textilebalers.co.uk](http://www.textilebalers.co.uk)